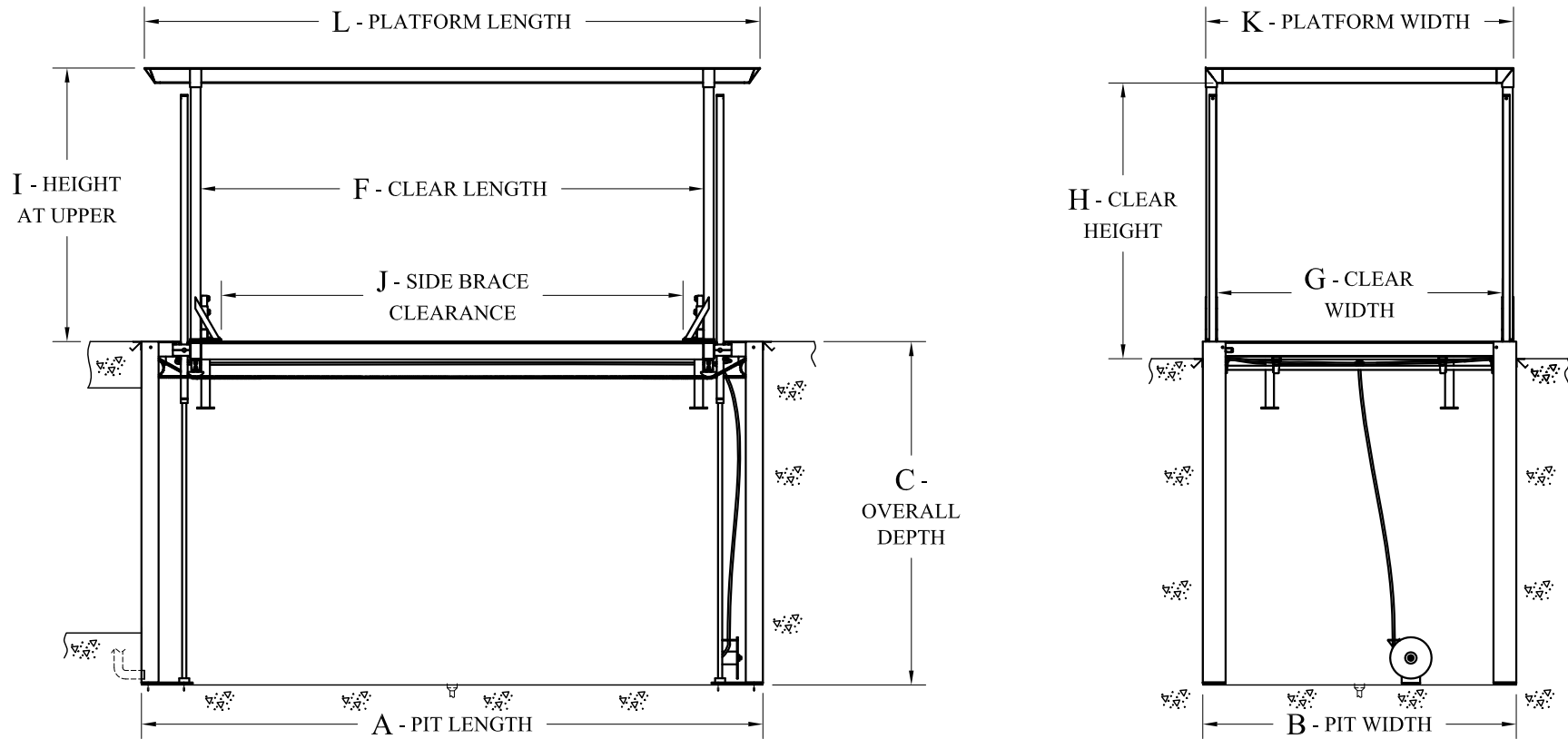


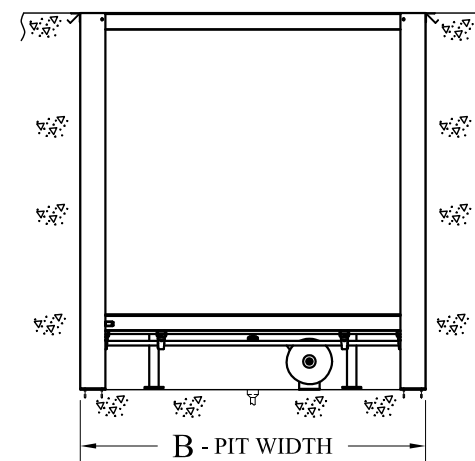
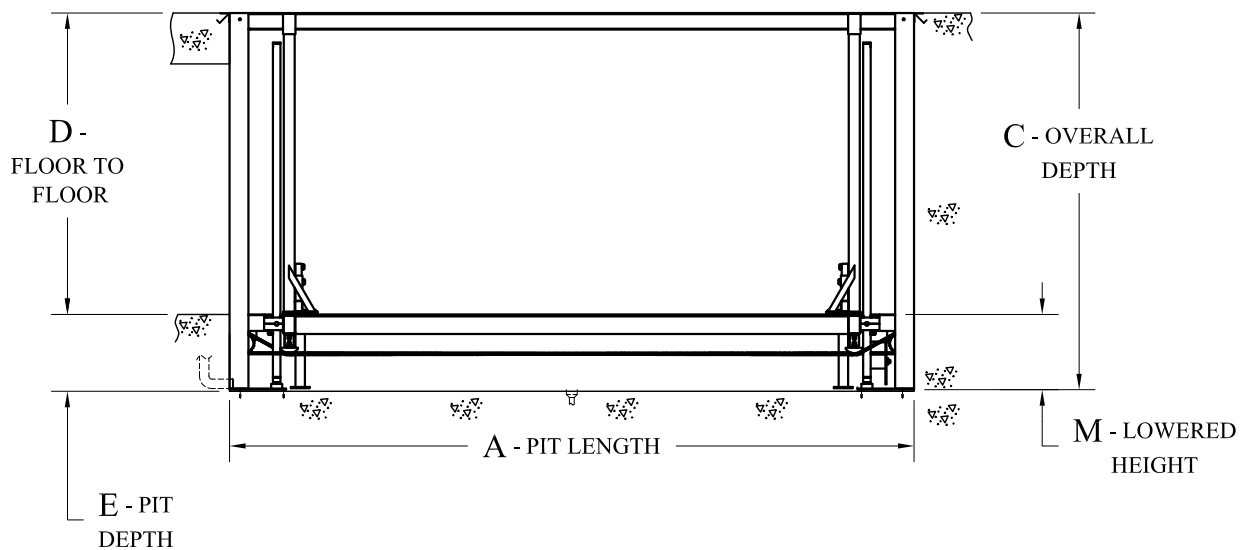
**4-POST SUBTERRANEAN LIFT  
GENERAL ARRANGEMENT  
(PATENT PENDING)**



(NOT TO SCALE)  
PROPOSAL DRAWING  
QUOTE NO. \_\_\_\_\_  
REV. 2 - 06/04/09  
COPYRIGHT RESERVED 2009  
AUTOQUIP CORPORATION  
82602345

**ELEVATION VIEW  
LIFT IN RAISED POSITION**

**4-POST SUBTERRANEAN LIFT  
GENERAL ARRANGEMENT  
(PATENT PENDING)**

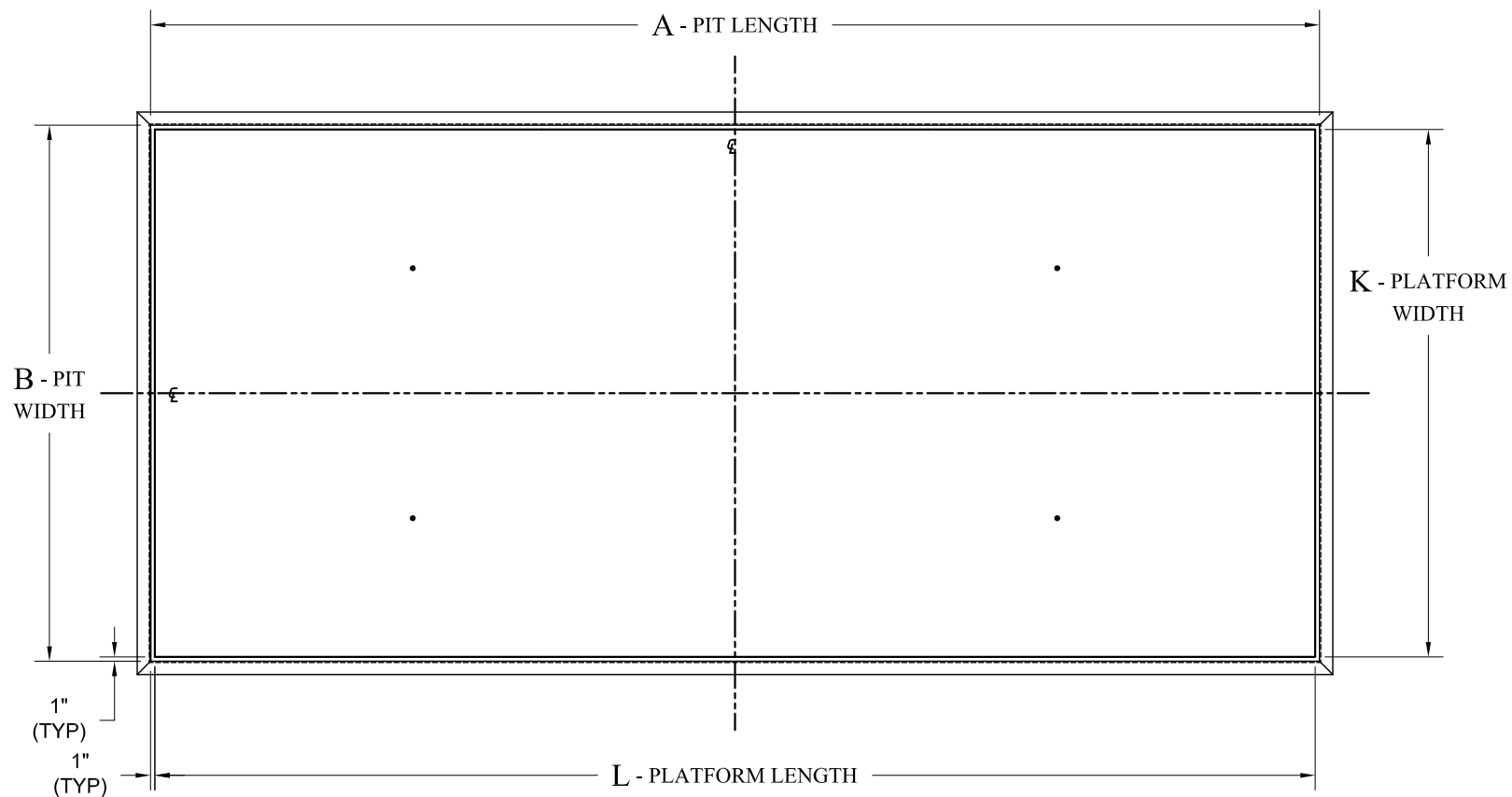


(NOT TO SCALE)  
PROPOSAL DRAWING  
QUOTE NO. \_\_\_\_\_  
REV. 2 - 06/04/09  
COPYRIGHT RESERVED 2009  
AUTOQUIP CORPORATION  
82602345

**ELEVATION VIEW  
LIFT IN LOWERED POSITION**

***Autoquip***<sup>®</sup>  
AUTOQUIP CORP.  
1058 W. INDUSTRIAL AVE.  
GUTHRIE, OK 73044-1058  
888-811-9876 WWW.AUTOQUIP.COM

**4-POST SUBTERRANEAN LIFT  
GENERAL ARRANGEMENT  
(PATENT PENDING)**

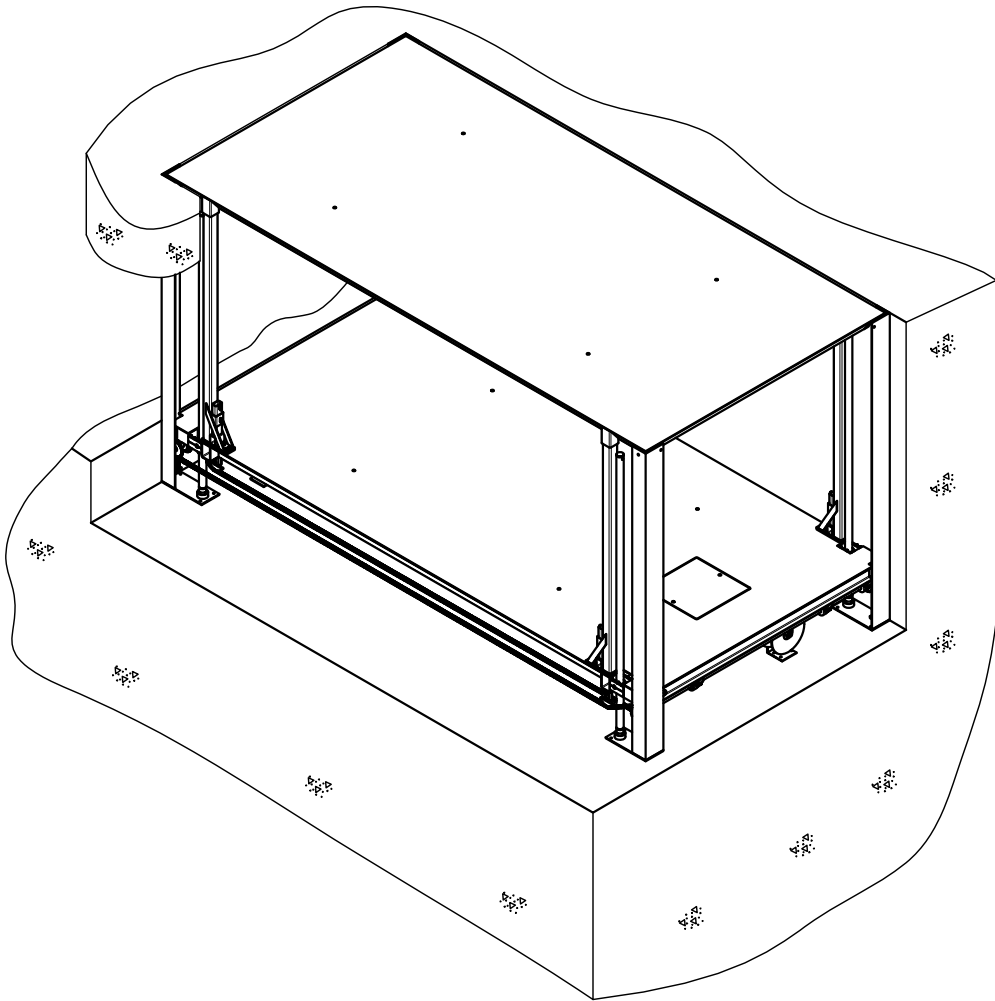


**TOP VIEW**  
CANOPY - UPPER FLOOR OPENING

(NOT TO SCALE)  
PROPOSAL DRAWING  
QUOTE NO. \_\_\_\_\_  
REV. 2 - 06/04/09  
COPYRIGHT RESERVED 2009  
AUTOQUIP CORPORATION  
82602345

***Autoquip***  
AUTOQUIP CORP.  
1058 W. INDUSTRIAL AVE.  
GUTHRIE, OK 73044-1058  
888-811-9876 WWW.AUTOQUIP.COM

**4-POST SUBTERRANEAN LIFT  
GENERAL ARRANGEMENT  
(PATENT PENDING)**



LIFTING CAPACITY:		LBS. TOTAL
STATIC CAPACITY:		LBS. PER DECK
TRAVEL:		INCHES (APPROX)

**DIMENSIONS KEY**

A - PIT LENGTH	
B - PIT WIDTH	
C - OVERALL DEPTH	
D - FLOOR TO FLOOR	
E - PIT DEPTH	
F - CLEAR LENGTH	
G - CLEAR WIDTH	
H - CLEAR HEIGHT	
I - HEIGHT AT UPPER	
J - FLOOR CLEARANCE	
K - PLATFORM WIDTH	
L - PLATFORM LENGTH	
M - LOWERED HEIGHT	

**EQUATION KEY**

A = L + 2"
B = K + 2"
E = M + 1/2"
F = L - 40"
G = K - 8"
H = I - 6"
J = L - 54"

(NOT TO SCALE)  
PROPOSAL DRAWING  
QUOTE NO. \_\_\_\_\_  
REV. 2 - 06/04/09  
COPYRIGHT RESERVED 2009  
AUTOQUIP CORPORATION  
82602345

**ISOMETRIC VIEW  
LIFT IN LOWERED POSITION**

***Autoquip***  
AUTOQUIP CORP.  
1058 W. INDUSTRIAL AVE.  
GUTHRIE, OK 73044-1058  
888-811-9876 WWW.AUTOQUIP.COM